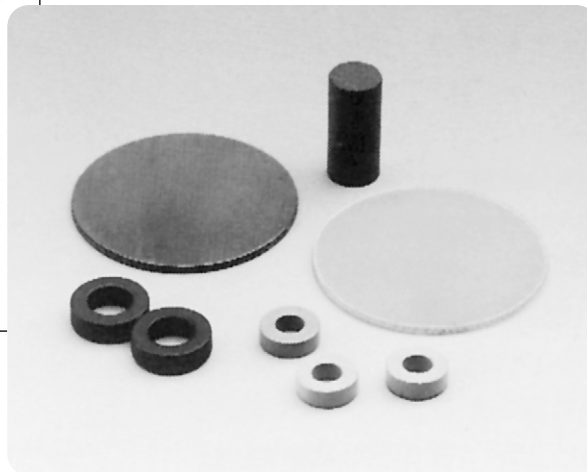
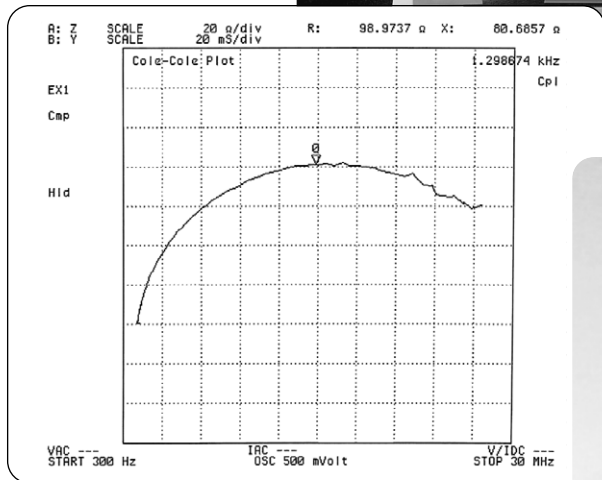
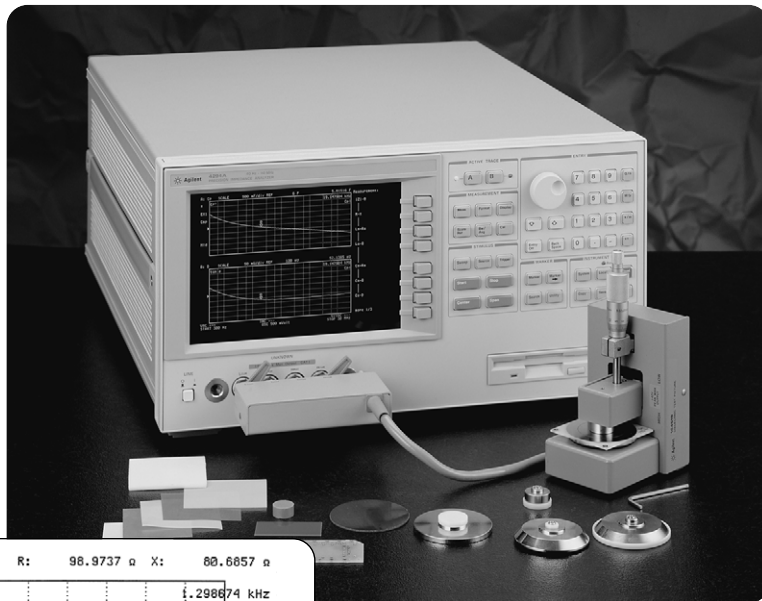


Agilent Solutions for Measuring Permittivity and Permeability with LCR Meters and Impedance Analyzers

Application Note 1369-1



Solutions for Measuring Permittivity and Permeability with LCR Meters and Impedance Analyzers

Application Note 1369-1

1.	Introduction	3
2.	Permittivity evaluation	4
2.1.	Definition of permittivity	4
2.2.	Parallel plate measurement method	5
2.3.	Permittivity measurement system	8
2.4.	Measurement system using the 16451B dielectric test fixture	8
2.5.	Measurement system using the 16453A dielectric test fixture	13
3.	Permeability evaluation	17
3.1.	Definition of permeability	17
3.2.	Inductance measurement method	17
3.3.	Permeability measurement system	18
3.4.	Measurement system using the 16454A magnetic material test fixture	18
4.	Conclusion	20
Appendix		21
A.	Resistivity evaluation	21
A.1.	Method of measuring resistivity	21
A.2.	Resistivity measurement system using the 4339B and the 16008B	22
B.	Permittivity evaluation of liquids	24
B.1.	Measurement system using the 16452A liquid test fixture	24
References		27

1. Introduction

Recently, electronic equipment technology has dramatically evolved to the point where an electronic component's material characteristics becomes a key factor in a circuit's behavior. For example, in the manufacture of high capacitance multi-layer ceramic capacitors (MLCCs), which are being used more in digital (media) appliances, employing high κ (dielectric constant) material is required. In addition, various electrical performance evaluations, such as frequency and temperature response, must be performed before the materials are selected.

In fields outside of electronic equipment, evaluating the electrical characteristics of materials has become increasingly popular. This is because composition and chemical variations of materials such as solids and liquids can adopt electrical characteristic responses as substituting performance parameters.

A material evaluation measurement system is comprised of three main pieces. These elements include: precise measurement instruments, test fixtures that hold the material under test, and software that can calculate and display basic material parameters, such as permittivity and permeability. Various measurement methods for permittivity and permeability currently exist. (See Table 1) However, this note's primary focus will be on methods that employ impedance measurement technology, which have the following advantages:

- Wide frequency range from 20 Hz to 1 GHz
- High measurement accuracy
- Simple preparations (fabrication of material, measurement setup) for measurement

This note begins by describing measurement methods, systems, and solutions for permittivity in section 2, followed by permeability in section 3. The resistivity measurement system and the permittivity measurement system for liquids are described later in the Appendix.

Table 1. Measurement technology and methods for permittivity and permeability parameters

Measurement parameter	Measurement technology	Measurement method
Permittivity	Impedance analysis	Parallel plate
	Network analysis	Reflection wave
		S parameters
		Cavity
		Free Space
Permeability	Impedance analysis	Inductance
	Network analysis	Reflection wave
		S parameters
		Cavity

2. Permittivity evaluation

2.1. Definition of permittivity

Permittivity describes the interaction of a material with an electric field. The principal equations are shown in Figure 1. Dielectric constant (κ) is equivalent to the complex relative permittivity (ϵ_r^*) or the complex permittivity (ϵ^*) relative to the permittivity of free space (ϵ_0). The real part of complex relative permittivity (ϵ_r') is a measure of how much energy from an external field is stored in a material. $\epsilon_r' > 1$ for most solids and liquids. The imaginary part of complex relative permittivity (ϵ_r'') is called the loss factor and is a measure of how dissipative or lossy a material is to an external field. ϵ_r'' is always > 0 and is usually much smaller than ϵ_r' . The loss factor includes the effects of both dielectric loss and conductivity.

When complex permittivity is drawn as a simple vector diagram as shown in Figure 1, the real and imaginary components are 90° out of phase. The vector sum forms an angle δ with the real axis (ϵ_r'). The tangent of this angle, $\tan \delta$ or loss tangent, is usually used to express

the relative "lossiness" of a material. The term "dielectric constant" is often called "permittivity" in technical literature. In this application note, the term permittivity will be used to refer to dielectric constant and complex relative permittivity.

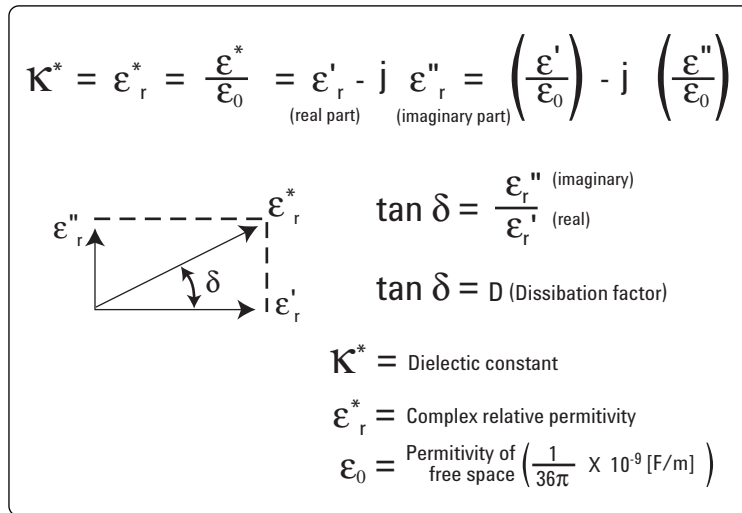


Figure 1. Definition of relative complex permittivity (ϵ_r^*)

2.2. Parallel plate measurement method of measuring permittivity

When using an impedance-measuring instrument to measure permittivity, the parallel plate method is usually employed. An overview of the parallel plate method is shown in Figure 2.

The parallel plate method, also called the three terminal method in ASTM D150, involves sandwiching a thin sheet of material or liquid between two electrodes to form a capacitor. (Note: Throughout the remainder of this document materials under test, whether the material is a solid or a liquid, will be referred to as MUT.) The measured capacitance is then used to calculate permittivity. In an actual test setup, two electrodes are configured with a test fixture sandwiching dielectric material. The impedance-measuring instrument would measure vector components of capacitance (C) and dissipation (D) and a software program would calculate permittivity and loss tangent.

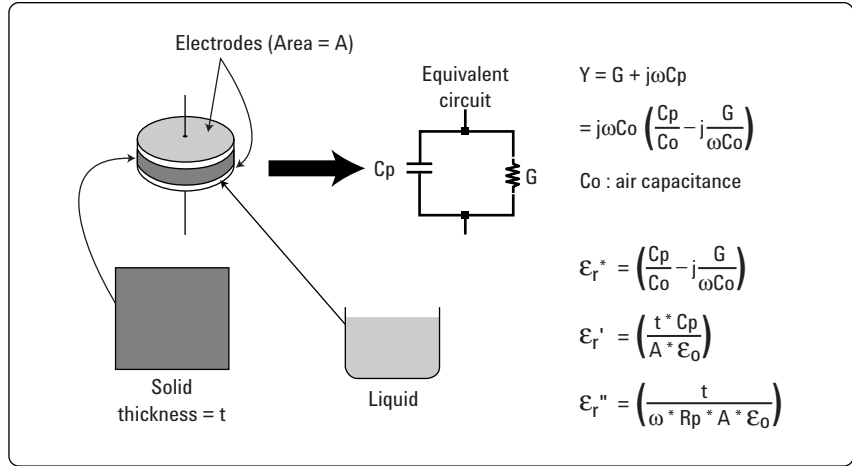


Figure 2. Parallel plate method

The flow of the electrical field in an actual measurement is shown in Figure 3. When simply measuring the dielectric material between two electrodes, stray capacitance or edge capacitance is formed on the edges of the electrodes and consequently the measured capacitance is larger than the capacitance of the dielectric material. The edge capacitance causes a measurement error, since the current flows through the dielectric material and edge capacitor.

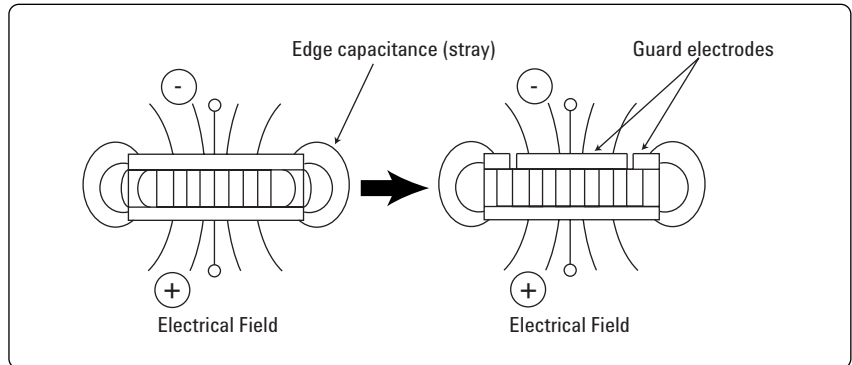


Figure 3. Effect of guard electrode

A solution to the measurement error caused by edge capacitance is to use the guard electrode. The guard electrode absorbs the electric field at the edge and the capacitance that is measured between the electrodes is only composed of the current that flows through the dielectric material. Therefore, accurate measurements are possible. When the main electrode is used with a guard electrode, the main electrode is called the guarded electrode.

Contacting electrode method:

This method derives permittivity by measuring the capacitance of the electrodes contacting the MUT directly. (See Figure 4.) Permittivity and loss tangent are calculated using the equations below:

- C_p : Equivalent parallel capacitance of MUT [F]
 D : Dissipation factor (measured value)
 t_m : Average thickness of MUT [m]
 A : Guarded electrode's surface area[m²]
 d : Guarded electrode's diameter[m]
 ϵ_0 : Permittivity of free space = 8.854×10^{-12} [F/m]

Equations:

$$\epsilon_r = \frac{t_m \times C_p}{A \times \epsilon_0} = \frac{t_m \times C_p}{\pi \left(\frac{d}{2}\right)^2 \times \epsilon_0}$$

$$\tan \delta = D$$

The contacting electrode method requires no material preparation and the operation involved when measuring is simple. Therefore, it is the most widely used method. However, a significant measurement error can occur if airgap and its effects are not considered when using this method.

When contacting the MUT directly with the electrodes, an airgap is formed between the MUT and the electrodes. No matter how flat and parallel both sides of the MUT are fabricated, an airgap will still form.

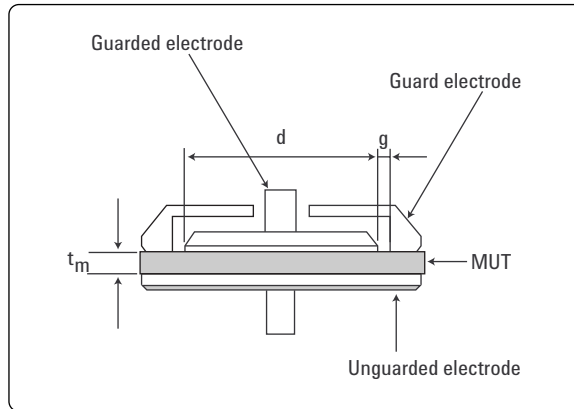


Figure 4. Contacting electrode method

This airgap is the cause for measurement error because the measured capacitance will be the series connection of the capacitance of the dielectric material and the airgap. The relationship between the airgap's thickness and measurement error is determined by the equation shown in Figure 5.

Measurement error is a function of the relative permittivity (ϵ_r') of the MUT, thickness of the MUT (t_m), and the airgap's thickness (t_a). Sample results of measurement error have been calculated in Table 2. Notice that the effect is greater with thin materials and high κ materials.

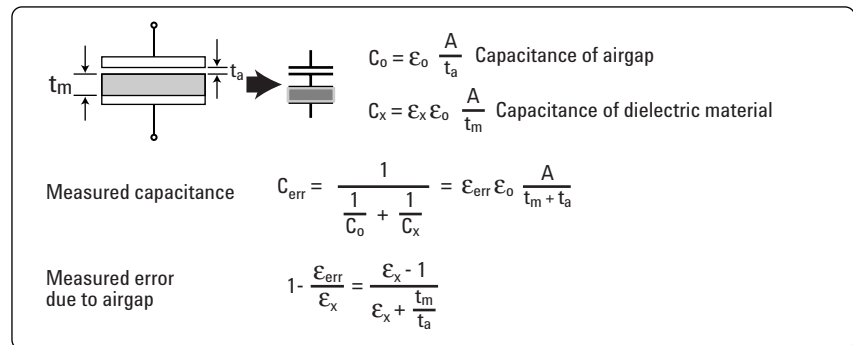


Figure 5. Airgap effects

Table 2. Measurement error caused by airgap

$t_a/t_m \backslash \epsilon_r'$	2	5	10	20	50	100
0.001	0.1%	0.4%	1%	2%	5%	9%
0.005	0.5%	2%	4%	9%	20%	33%
0.01	1%	4%	8%	16%	33%	50%
0.05	5%	16%	30%	48%	70%	83%
0.1	8%	27%	45%	63%	82%	90%

This airgap effect can be eliminated, by applying thin film electrodes to the surfaces of the dielectric material. An extra step is required for

material preparation (fabricating a thin film electrode), but the most accurate measurements can be performed.

Non-contacting electrode method:

This method was conceptualized to incorporate the advantages and exclude the disadvantages of the contacting electrode method. It does not require thin film electrodes, but still solves the airgap effect. Permittivity is derived by using the results of two capacitance measurements obtained with the MUT and without it (Figure 6).

Theoretically, the electrode gap (t_g) should be a little bit larger than the thickness of the MUT (t_m). In other words, the airgap ($t_g - t_m$) should be extremely small when compared to the thickness of the MUT (t_m). These requirements are necessary for the measurement to be performed appropriately. Two capacitance measurements are necessary, and the results are used to calculate permittivity. The equation is shown at right:

- C_{s1}: Capacitance without MUT inserted[F]
- C_{s2}: Capacitance with MUT inserted[F]
- D1: Dissipation factor without MUT inserted
- D2: Dissipation factor with MUT inserted
- t_g: Gap between guarded/guard electrode and unguarded electrode [m]
- t_m: Average thickness of MUT [m]

Equations:

$$\epsilon_r' = \frac{1}{1 - \left(1 - \frac{C_{s1}}{C_{s2}}\right) \times \frac{t_g}{t_m}}$$

$$\tan \delta = D_2 + \epsilon_r' \times (D_2 - D_1) \times \left(\frac{t_g}{t_m} - 1\right) \quad (\text{when } \tan \delta \ll 1)$$

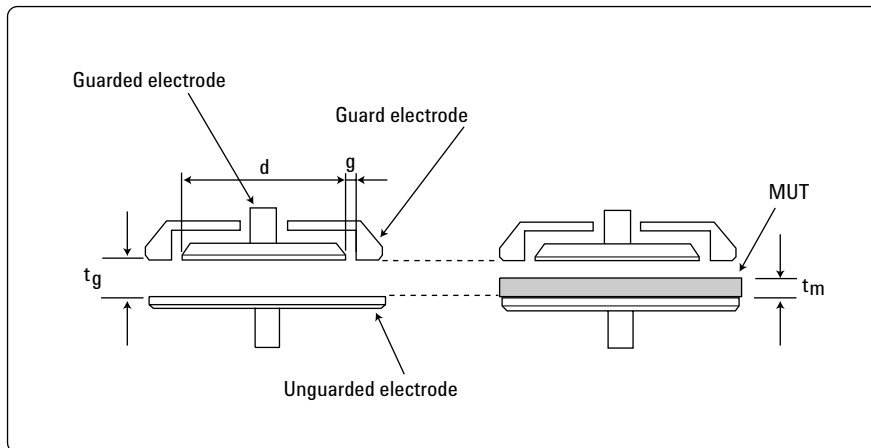


Figure 6. Non-contacting electrode method

Table 3. Comparison of parallel plate measurement methods

Method	Contacting electrode (without thin film electrode)	Non-contacting electrode	Contacting electrode (with thin film electrode)
Accuracy	LOW	MEDIUM	HIGH
Application MUT	Solid material with a flat and smooth surface	Solid material with a flat and smooth surface	Thin film electrode must be applied onto surfaces
Operation	1 measurement	2 measurements	1 measurement

2.3. Permittivity measurement system

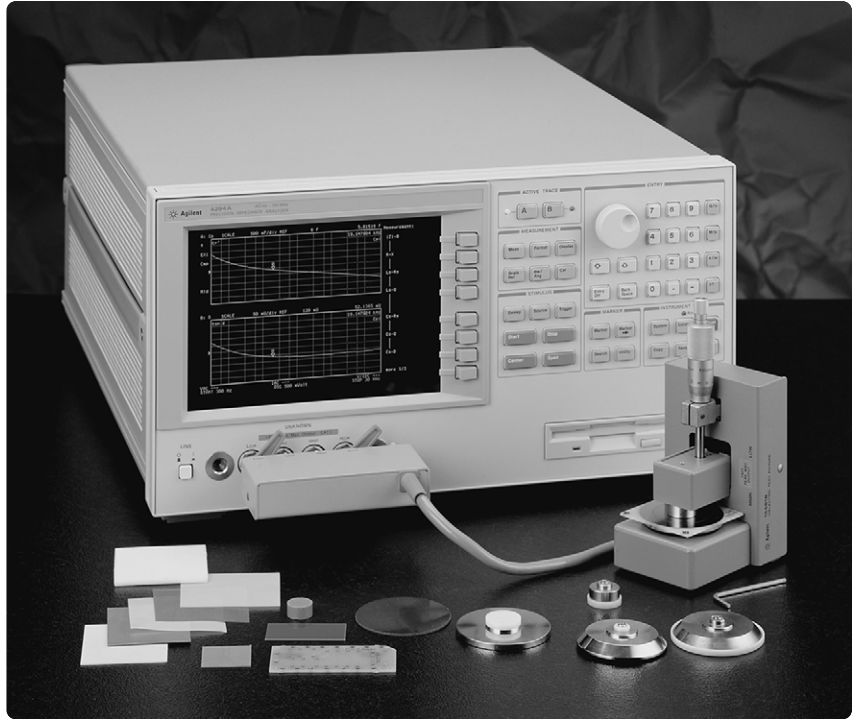
Two measurement systems that employ the parallel plate method will be discussed here. The first is the 16451B dielectric test fixture, which has capabilities to measure solid materials up to 30 MHz. The latter is the 16453A dielectric material test fixture, which has capabilities to measure solid materials up to 1 GHz. Details of measurement systems described in this note will follow the subheadings outlined below:

- 1) Main advantages
- 2) Applicable MUT
- 3) Structure
- 4) Principal specifications
- 5) Operation method
- 6) Special considerations
- 7) Sample measurements

2.4. Measurement system using the 16451B dielectric test fixture

2.4.1. Main advantages

- Precise measurements are possible in the frequency range up to 30 MHz
- Four electrodes (A to D) are provided to accommodate the contacting and non-contacting electrode methods and various MUT sizes
- Guard electrode to eliminate the effect of edge capacitance
- Attachment simplifies open and short compensation
- Can be used with any impedance-measuring instrument with a 4-Terminal Pair configuration



Applicable measurement instruments: 4294A, 4284A, 4285A, 4263B, 4268A, 4288A, and 4279A

2.4.2. Applicable MUT

The applicable dielectric material is a solid sheet that is smooth and has equal thickness from one end to the other. The applicable dielectric material's size is determined by the measurement method and type of electrode to be used. Electrodes A and B are used for the contacting electrode method without the fabrication of thin film electrodes. Electrodes C and D are used for the contacting electrode method with the fabrication of thin film electrodes. When employing the non-contacting electrode method, electrodes A and B are used. In this method, it is recommended to process the dielectric material to a thickness of a few millimeters.

The difference between electrodes A and B is the diameter (the same difference applies to electrodes C and D). Electrodes A and C are adapted for large MUT sizes, and electrodes B and D are adapted for smaller MUT sizes. The applicable MUT sizes for each electrode are shown in Tables 4 and 5. The dimensions of each electrode are shown in Figures 7 through 10.

Table 4. Applicable MUT sizes for electrodes A and B

Electrode type	Material diameter	Material thickness	Electrode diameter
A	40 mm to 56 mm	$t \leq 10$ mm	38 mm
B	10 mm to 56 mm	$t \leq 10$ mm	5 mm

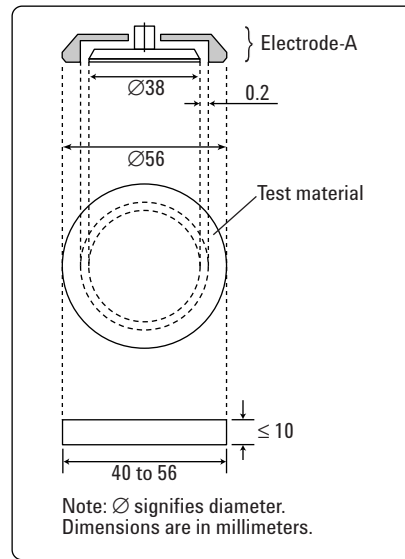


Figure 7. Electrode A dimensions

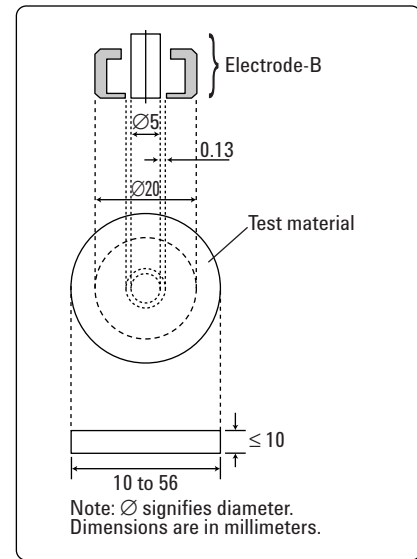


Figure 8. Electrode B dimensions

Table 5. Applicable MUT sizes for electrodes C and D

Electrode type	Material diameter	Material thickness	Electrode diameter*
C	56 mm	$t \leq 10$ mm	5 to 50 mm
D	20 mm to 56 mm	$t \leq 10$ mm	5 to 14 mm

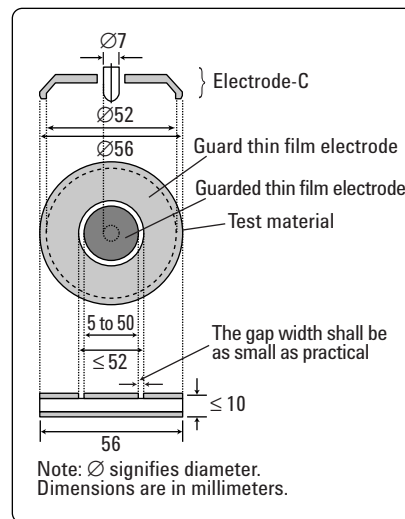


Figure 9. Electrode C dimensions

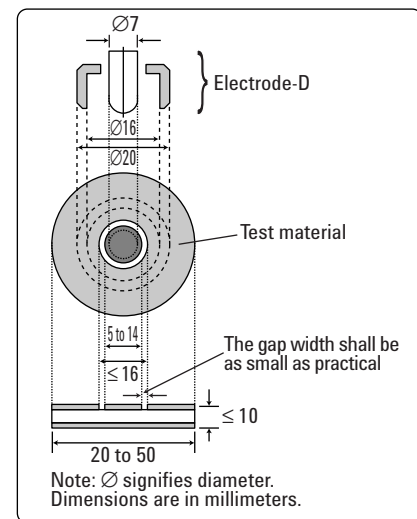


Figure 10. Electrode D dimensions

*Diameter of applied thin film electrodes on surfaces of dielectric material.

2.4.3. Structure

In order to eliminate the measurement error caused by edge capacitance, a three-terminal configuration (including a guard terminal) is employed. The structure of 16451B is shown in Figure 11.

The electrodes in 16451B are made up of the following:

1. Unguarded electrode, which is connected to the measurement instrument's high terminal.
2. Guarded electrode, which is connected to the measurement's instrument's low terminal.
3. Guard electrode, which is connected to the measurement instrument's guard terminal (the outer conductor of the BNC connectors).

The guard electrode encompasses the guarded (or main) electrode and absorbs the electric field at the edge of the electrodes, making accurate permittivity measurements possible.

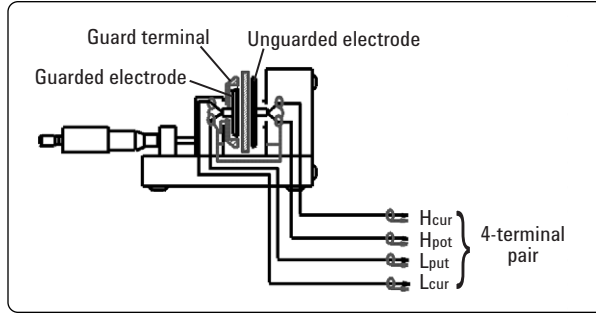


Figure 11. Structure of 16451B

2.4.4. Principal specifications

Table 6. Principal specifications of 16451B

Frequency	≤ 30 MHz
Max voltage	±42 V
Operation temperature	0 °C to 55 °C
Terminal configuration	4-Terminal Pair, BNC
Cable length	1 m
Compensation	Open/short*

The principal specifications are shown in Table 6. Figures 12 and 13 show the measurement accuracy when Agilent's 4294A is used. Further details about the measurement accuracy can be obtained from the Accessories Selection Guide for Impedance Measurements (literature number 5965-4792E)

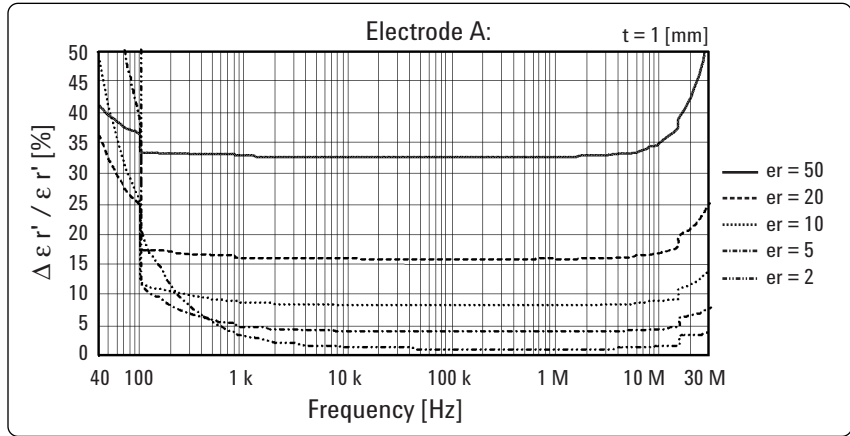


Figure 12. Permittivity measurement accuracy (Supplemental data)

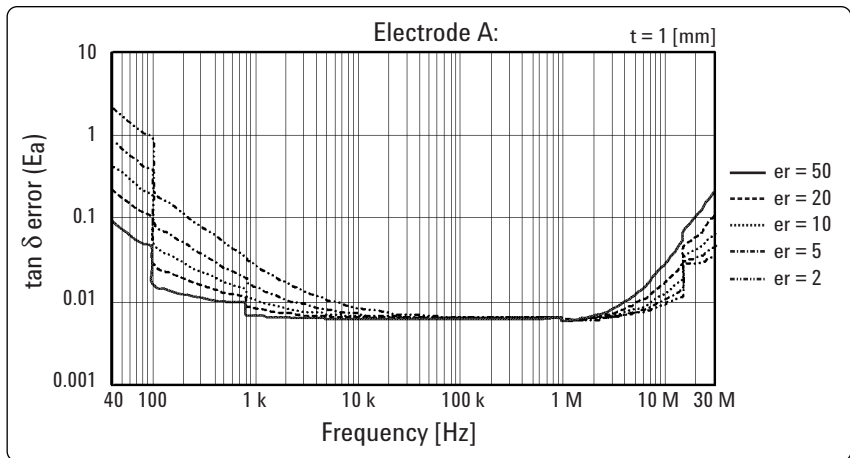


Figure 13. Loss tangent measurement accuracy (Supplemental data)

*When using the 4285A or 4294A above 5 MHz, it is necessary to perform load compensation in addition to open and short compensation. For more details, please refer to section 2.4.5 Operation method.

2.4.5. Operation method

Figure 14 displays the flowchart when using the 16451B for permittivity measurements. Each step in the flowchart is described here:

Step 1. Prepare the dielectric material: Fabricate the MUT to the appropriate size. Use Figures 7 through 10 as references. If the contacting electrode method with thin film electrodes is employed, apply thin film electrodes to the surfaces of the MUT.

Step 2. Attach the guarded electrode: Select the appropriate electrode and fit it into the 16451B.

Step 3. Connect the 16451B: Connect the 16451B to the unknown terminals of the measurement instrument.

Step 4. Cable length compensation: Set the measurement instrument's cable length compensation function to 1m. Refer to the measurement instrument's operation manual for the setting procedure.

Step 5. Compensate the residual impedance of the 16451B: Use the furnished attachment to perform open and short compensation at a specified frequency. This is necessary before adjusting the guarded and unguarded electrodes to be parallel to each other.

Step 6. Adjust the electrodes: To enhance the measurement performance, a mechanism is provided to adjust the guarded and unguarded electrodes to be parallel to each other. By performing this adjustment, the occurrence of the airgap when using the contacting electrode method is minimized and an airgap with uniform thickness is created when using the non-contacting electrode method. The adjustment procedure is discussed in the operation manual of the 16451B.

Step 7. Set the measurement conditions: Measurement conditions such as frequency and test voltage level are set on the measurement instrument. Refer to the measurement instrument's operation manual for the setting procedure.

Step 8. Compensate the residual impedance of the 16451B: Use the furnished attachment to perform open and short compensation of the measurement conditions set in step 7.

When using the Agilent 4285A or 4294A above 5 MHz, it is necessary to perform load compensation also. This is because for high frequency measurements, it is difficult to disregard the residual impedance, which cannot be removed by open and short compensation.

In order to compensate the frequency response of the 16451B, a measured value at 100 kHz is used as a standard value and load compensation is performed at high frequencies. The air capacitance formed by creating an airgap between the electrodes (with nothing inserted) is adopted as the load device for the 16451B. Table 7 lists the recommended capacitance values that are obtained by adjusting the height of the airgap between the electrodes. It is assumed that the air capacitance has no frequency dependency, no loss and has a flat response. The capacitance value (C_p) at 100 kHz (G is assumed to be zero) is used for load compensation.

Step 9. Insert MUT: Insert the MUT between the electrodes.

Step 10. Cp-D measurement: The capacitance (C_p) and dissipation factor (D) is measured. When employing the non-contacting electrode method, two Cp-D measurements are performed, with and without the MUT.

Step 11. Calculate permittivity: As previously discussed in section 2.2, use the appropriate equation to calculate permittivity.

When using the 4294A as the measurement instrument, a sample IBASIC program, which follows the steps described above, is available. The sample program is furnished, on floppy disk, with the operation manual of the 4294A.

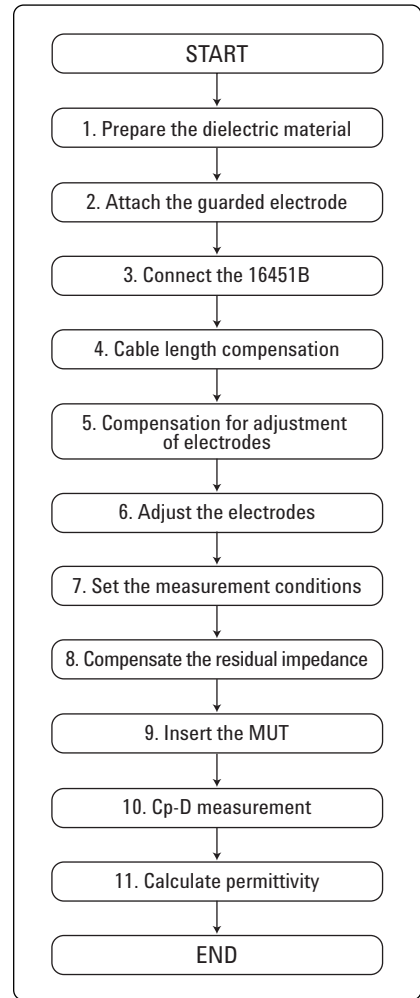


Figure 14. Measurement procedure flowchart for the 16451B

Table 7. Load values

Electrode	Recommended Capacitance*
A	50 pF ± 0.5 pF
B	5 pF ± 0.05 pF
C, D	1.5 pF ± 0.05 pF

* Measured C_p value at 100 kHz

2.4.6 Special considerations

As mentioned before, to reduce the effect of the airgap, which occurs between the MUT and the electrodes, it is practical to employ the contacting electrode method with thin film electrodes (Refer to section 2.2).

Electrodes C and D are provided with the 16451B to carry out this method.

Materials under test that transform under applied pressure cannot keep a fixed thickness. This type of MUT is not suitable for the contacting electrode method. Instead, the non-contacting method should be employed.

When the non-contacting method is employed, the electrode gap t_g is required to be at most 10% larger than the thickness of the MUT. It is extremely difficult to create a 10% electrode gap with thin film materials. Therefore, it is recommended that only materials thicker than a few millimeters be used with this method.

The micrometer on the 16451B is designed to make a precise gap when using the non-contacting electrode method. Accurate measurements of the thickness of MUT cannot be made, when employing the contacting electrode method. This is because the micrometer scale is very dependent upon the guard and the unguarded electrodes being parallel. Using a separate micrometer for measuring thickness is recommended.

2.4.7. Sample measurements

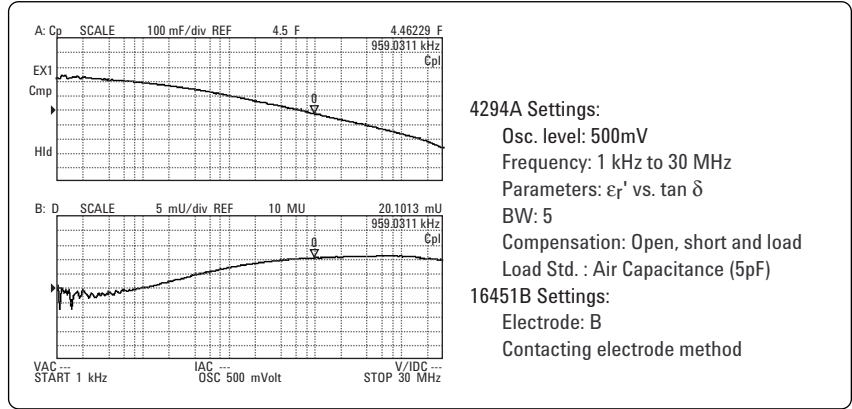


Figure 15. Frequency response of printed circuit board

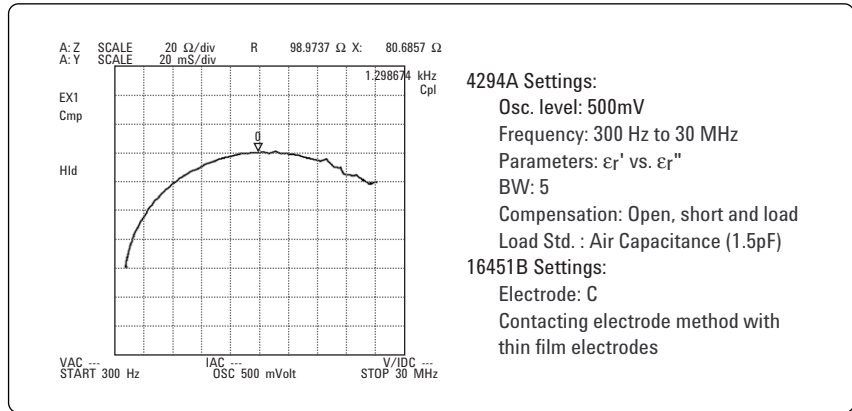


Figure 16. Cole-Cole plot of a ceramic material

2.5. Measurement system using the 16453A dielectric material test fixture

2.5.1. Main advantages

- Wide frequency range from 1 MHz – 1 GHz
- Option 002 (material measurement software) internal firmware in both E4991A and 4291B solves edge capacitance effect
- Open, short and load compensation
- Direct readouts of complex permittivity are possible with the Option 002 (material measurement software) internal firmware in both E4991A and 4291B.
- Temperature characteristics measurements are possible from -55 °C to +200 °C (with the 4291B Options 002 and 013)



* For temperature-response evaluation Option 013 high temperature, high impedance test head is required. A heat resistant cable, which maintains high accuracy, and an IBASIC program for chamber control and data analysis are included with Option 013. The E4991A does not have a high temperature test head.



Applicable measurement instruments: E4991A (Option 002) and 4291B (Option 002) *

2.5.2. Applicable MUT

The applicable dielectric material is a solid sheet that is smooth and has equal thickness from one end to the other. The applicable MUT size is shown in Figure 17.

2.5.3. Structure

The structure of the 16453A can be viewed in Figure 18. The upper electrode has an internal spring, which allows the MUT to be fastened between the electrodes. Applied pressure can be adjusted as well.

The 16453A is not equipped with a guard electrode like the 16451B. This is because a guard electrode at high frequency only causes greater residual impedance and poor frequency characteristics. To lessen the effect of edge capacitance, a correction function based on simulation results is used in both the E4991A and the 4291B Option 002 firmware.

Also, residual impedance, which is a major cause for measurement error, cannot be entirely removed by open and short compensation. This is why Teflon is provided as a load compensation device.

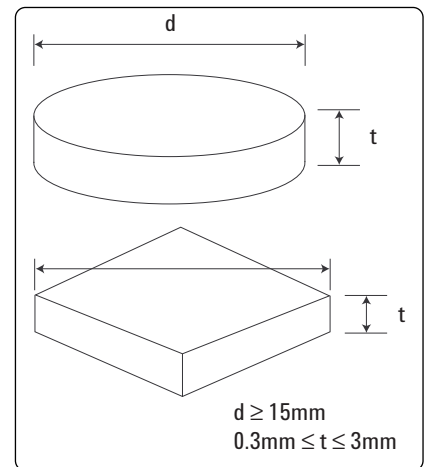


Figure 17. Applicable MUT size

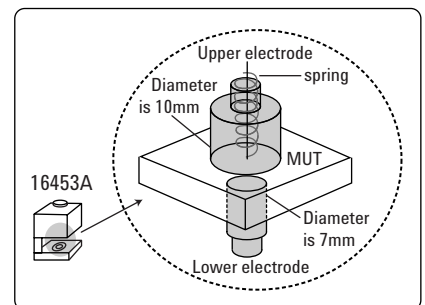


Figure 18. Structure of 16453A

2.5.4. Principal specifications

Table 8. Principal specifications of 16453A

Frequency	1 MHz to 1 GHz
Max. voltage	±42 V
Operating temperature	-55 °C to +200 °C*
Terminal configuration	7mm
Compensation	Open, short and load

*Must be accompanied by the 4291B with Options 002 and 013.

The principal specifications are shown in Table 8. Figures 19 and 20 show the measurement accuracy when the E4991A is used. Further details about the measurement accuracy can be obtained from the operation manual supplied with the instrument.

2.5.5. Operation method

Figure 21 displays the flowchart when using the 16453A and E4991A for permittivity measurements. The steps in the flowchart are described here. For further details, please refer to the Quick Start Guide for the E4991A or the 4291B.

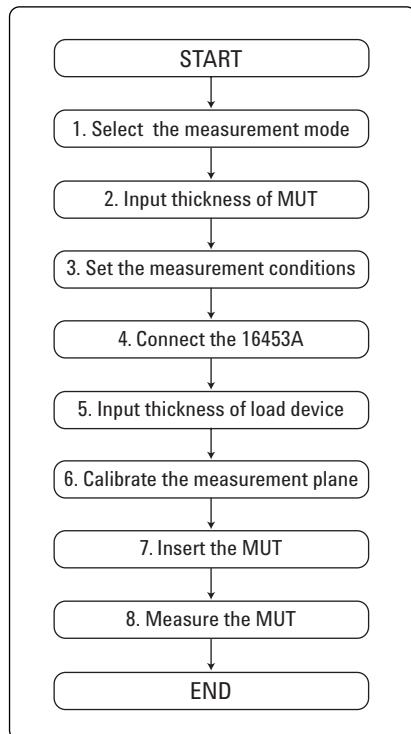


Figure 21. Measurement procedure flowchart for the 16453A

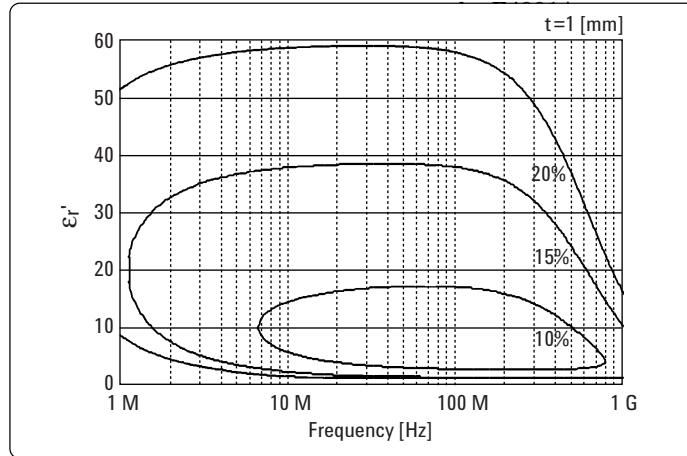


Figure 19. Permittivity measurement accuracy (Supplemental data)

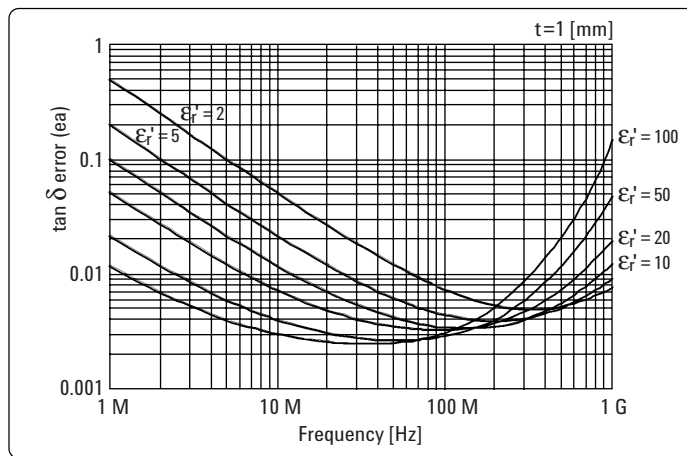


Figure 20. Loss tangent measurement accuracy (Supplemental data)

Step 1. Select the measurement mode: Select permittivity measurement in E4991A's utility menu.

Step 2. Input the thickness of MUT: Enter the thickness of the MUT into the E4991A. Use a micrometer to measure the thickness.

Step 3. Set the measurement conditions of the E4991A: Measurement conditions such as frequency, test voltage level, and measurement parameter are set on the measurement instrument.

Step 4. Connect the 16453A: Connect the 16453A to the 7mm terminal of

Step 5. Input the thickness of load device: Before compensation, enter the furnished load device's (Teflon board) thickness into the E4991A

Step 6. Calibrate the measurement plane: Perform open, short, and load calibration.

Step 7. Insert MUT: Insert the MUT between the electrodes.

Step 8. Measure the MUT: The measurement result will appear on the display. The data can be analyzed using the marker functions.

2.5.6 Special considerations

As with the previous measurement system, an airgap, which is formed between the MUT and the electrodes, can be a primary cause of measurement error. Thin materials and high k materials are most prone to this effect. Materials with rough surfaces (Figure 22) can be similarly affected by airgap.

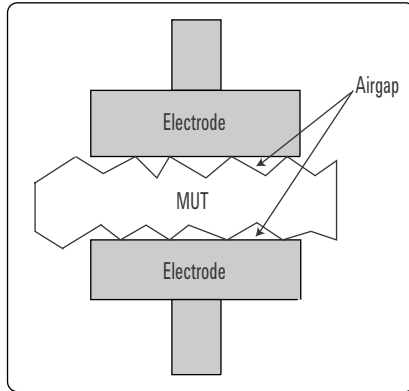


Figure 22. Rough-surfaced dielectric material

There is a technique to apply a thin-film electrode onto the surfaces of the dielectric material in order to eliminate the airgap that occurs between the MUT and the electrodes. This technique is shown in Figure 23 and 24. An electrode the exact shape and size to fit the 16453A is fabricated onto the dielectric material using either high-conductivity silver pastes or fired-on silver. The MUT should be shaped as in Figure 23, with the thin film electrode thinner than the dielectric material. In this case, it is vital to appropriately position the fabricated thin film electrode onto the MUT, to precisely contact the electrodes of the 16453A (Figure 24). Following this process will ensure a more accurate and reliable measurement.

In addition, if the MUTs are very thin, for example close to $100\mu\text{m}$, it is possible to stack 3 or 4 other MUTs and then make the measurement. This will reduce the airgap and increase measurement precision. The MUT must be smooth and not transform under applied pressure.

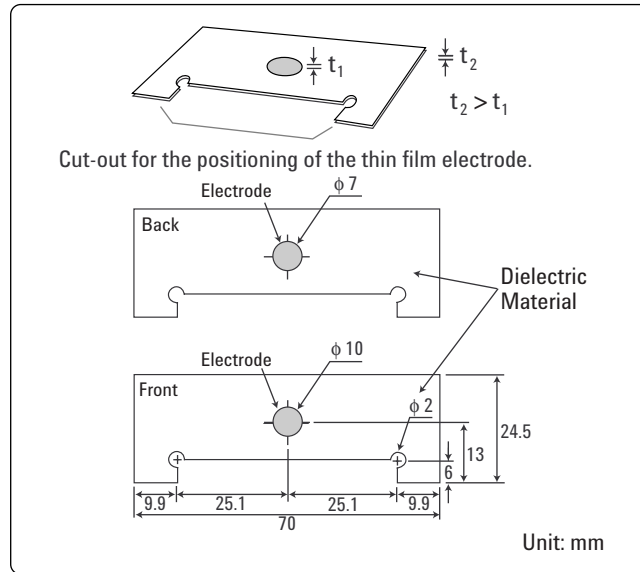


Figure 23. Fabricated thin film electrode's size

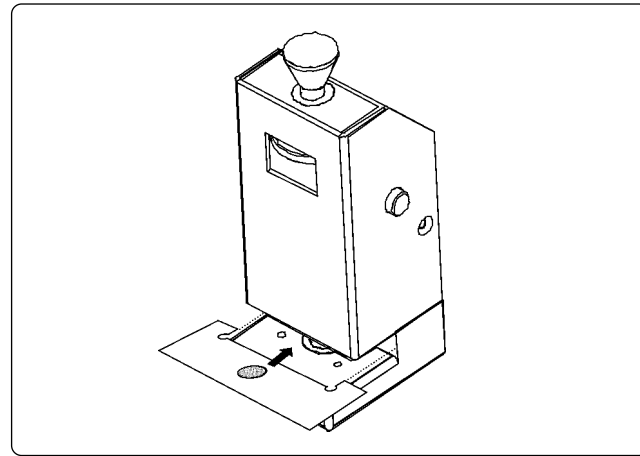


Figure 24. Positioning of the fabricated thin film on the MUT

Another point to consider is the adjusting mechanism of the upper electrode's spring pressure. The spring's pressure should be as strong as possible in order to minimize the occurrence of the airgap between the MUT and the electrodes. However, MUTs which transform under extreme pressure, cannot be measured correctly, since the thickness is affected. To achieve stable measurements, the spring pressure should be set at a level that does not transform the MUT.

2.5.7. Sample measurements

Measurement results of frequency and temperature characteristics of BT resin are shown in Figures 25 and 26. The E4991A and the 16453A were used to obtain the results in Figure 25. The 4291B and the 16453A were used to obtain the results shown in Figure 26.

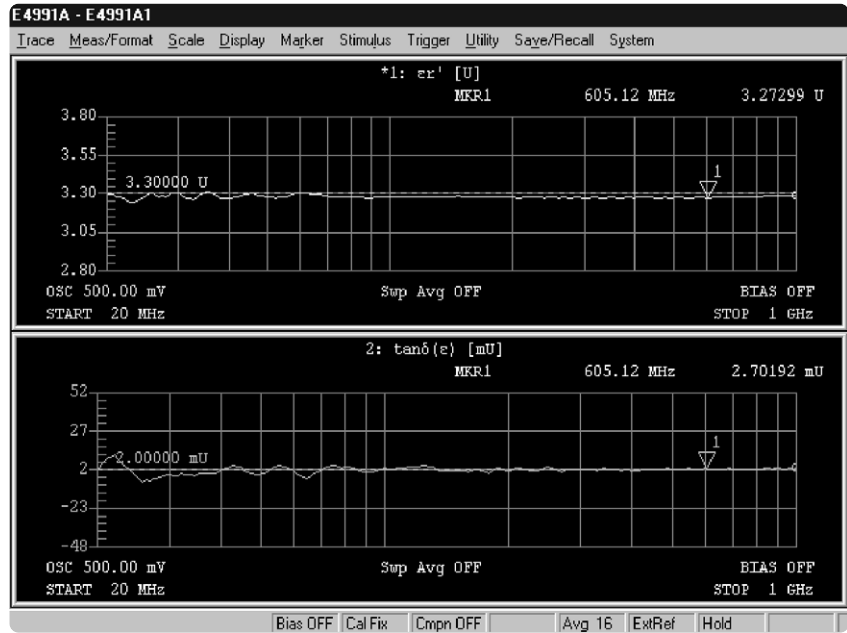


Figure 25. Frequency response of BT resin

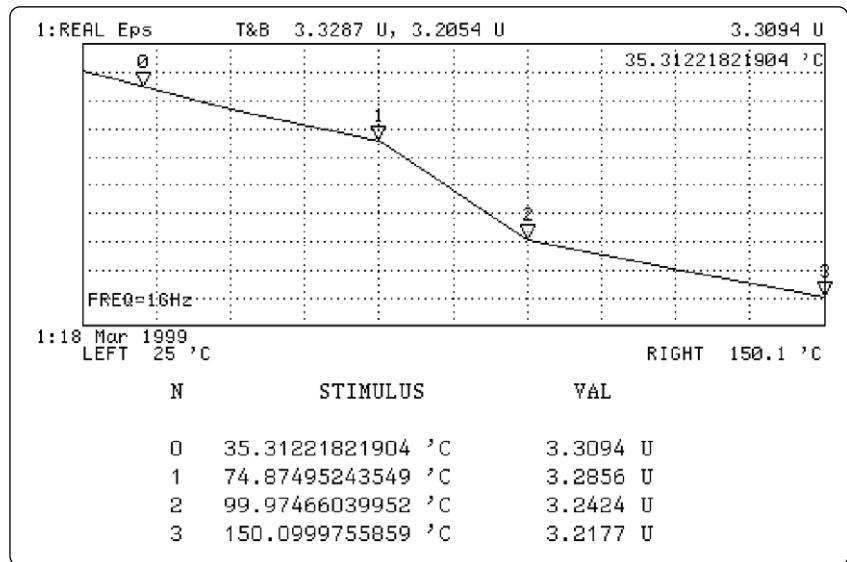


Figure 26. Temperature response of BT resin

3. Permeability evaluation

3.1. Definition of permeability

Permeability describes the interaction of a material with a magnetic field. It is the ratio of induction, B, to the applied magnetizing field, H. Complex relative permeability (μ_r^*) consists of the real part (μ_r') that represents the energy storage term and the imaginary part (μ_r'') that represents the power dissipation term. It is also the complex permeability (μ^*) relative to the permeability of free space (μ_0) as shown in Figure 27.

The inefficiency of magnetic material is expressed using the loss tangent, $\tan \delta$. The $\tan \delta$ is the ratio of (μ_r'') to (μ_r'). The term "complex relative permeability" is simply called "permeability" in technical literature. In this application note, the term permeability will be used to refer to complex relative permeability.

3.2. Inductance measurement method

Relative permeability of magnetic material derived from the self-inductance of a cored inductor that has a closed loop (such as the toroidal core) is often called effective permeability. The conventional method of measuring effective permeability is to wind some wire around the core and evaluate the inductance with respect to the ends of the wire. This type of measurement is usually performed with an impedance measuring instrument. Effective permeability is derived from the inductance measurement result using the following equations:

$$\mu_e' = \frac{\ell(L_{eff} - L_w)}{\mu_0 N^2 A}$$

$$\mu_e'' = \frac{\ell(L_{eff} - L_w)}{\mu_0 N^2 \omega A}$$

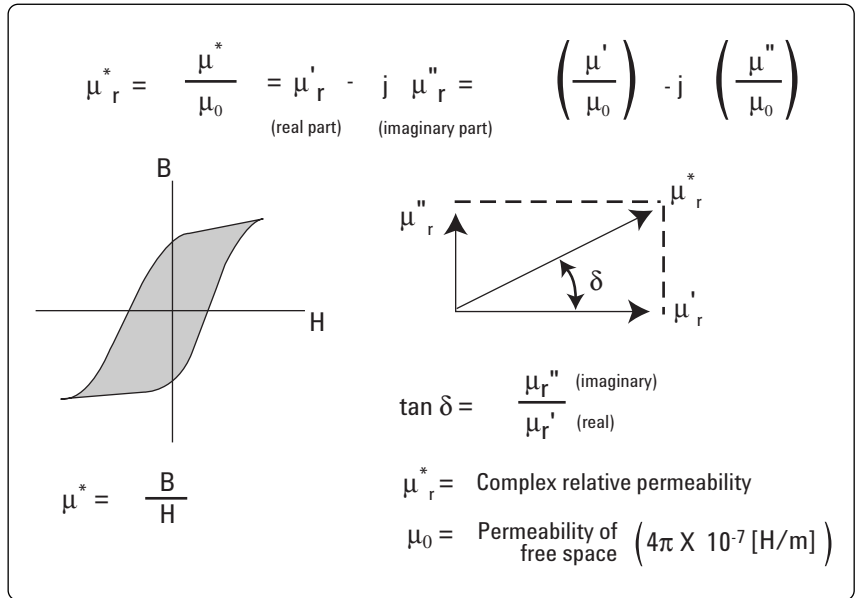


Figure 27. Definition of complex permeability (μ^*)

- R_{eff} : Equivalent resistance of magnetic core loss including wire resistance
- L_{eff} : Inductance of toroidal coil
- R_w : Resistance of wire only
- L_w : Inductance of air-core coil inductance
- N : Turns
- ℓ : Average magnetic path length of toroidal core [m]
- A : Cross-sectional area of toroidal core [m²]
- ω : $2\pi f$ (frequency)
- μ_0 : $4\pi \times 10^{-7}$ [H/m]

field and where the measurement is located on the hysteresis curve, permeability can be classified in degree categories such as initial or maximum. Initial permeability is the most commonly used parameter among manufacturers because most industrial applications involving magnetic material use low power levels².

This application note focuses on effective permeability and initial permeability, derived from the inductance measurement method.

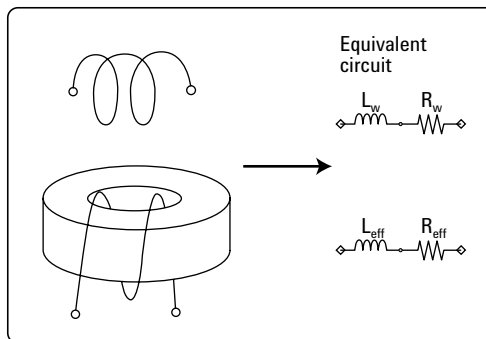


Figure 28. Method of measuring effective permeability

2. Some manufacturers use initial permeability even for magnetic materials that are employed at high power levels.

3.3. Permeability measurement system

The next section demonstrates a permeability measurement system using the 16454A magnetic material test fixture.

3.4. Measurement system using the 16454A magnetic material test fixture

3.4.1. Main advantages

- Wide frequency range from 1 kHz to 1 GHz
- Simple measurements without needing a wire wound around the toroid
- Two fixture assemblies are provided for different MUT sizes
- Direct readouts of complex permeability are possible with the E4991A or 4291B (Option 002 material measurement software) or with the 4294A (IBASIC program).



For temperature-response evaluations, Option 014, a high-temperature, low-impedance test head is required. A heat resistant cable, which maintains high accuracy, and an IBASIC program, for chamber control and data analysis, are included with Option 014. The E4991A and the 4294A do not have a high temperature test head.



Applicable instruments: E4991A (Option 002), 4291B (Option 002)*, 4294A, and 42942A

- Temperature characteristic measurements are possible from $-55\text{ }^{\circ}\text{C}$ to $200\text{ }^{\circ}\text{C}$ (with the 4291B Options 002 and 014)

3.4.2. Applicable MUT

The applicable magnetic material can only be a toroidal core. The applicable MUT size is shown in Figure 29.

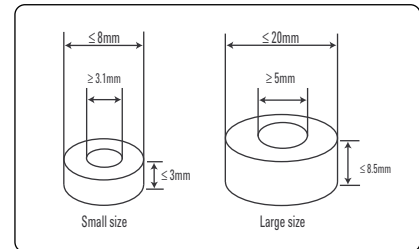


Figure 29. Applicable MUT size

3.4.3. Structure

The structure of 16454A and the measurement concept are shown in Figure 30. When a toroidal core is inserted into the 16454A, an ideal,

single-turn inductor, with no flux leakage, is formed. Permeability is derived from the inductance of the toroidal core with the fixture.

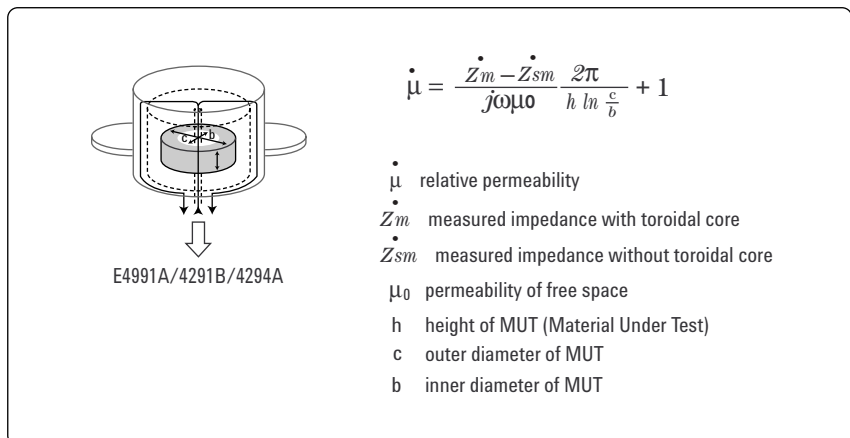


Figure 30. Structure of 16454A and measurement concept

3.4.4. Principal specifications

Table 9. Principal specifications of 16454A

Frequency	1 KHz to 1 GHz
Max dc bias current	±500 mA
Operating temperature	-55 °C to +200 °C*
Terminal configuration	7 mm
Compensation	Short

Principal specifications of 16454A are shown in Table 9 above. Figures 31 and 32, show the measurement accuracy when either the E4991A, 4291B or the 4294A are used.

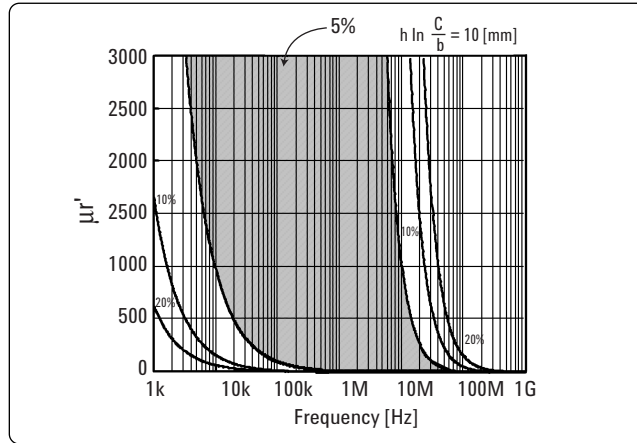


Figure 31. Permeability measurement accuracy (Supplemental data)

3.4.5. Operation method

Figure 33 displays the flowchart when using the 16454A for permeability measurements. Each step of the flowchart is described here:

Step 1. Calibrate the measurement instrument: When using the E4991A or the 4291B, calibrate at the 7mm terminal. When using the 4294A, perform SETUP on the 7mm terminal of the 42942A.

Step 2. Connect the 16454A: Connect the 16454A to the measurement instrument's 7mm terminal. When using the E4991A or the 4291B select the permeability measurement mode.

Step 3. Compensate the residual impedance of the 16454A: Insert only the MUT holder and perform short compensation.

Step 4. Input size of MUT: Enter the size of the MUT into the measurement instrument's menu. Use a micrometer to measure the size.

Step 5. Insert MUT: Insert the MUT with the holder into the 16454A.

Step 6. Set the measurement conditions: Measurement conditions such as frequency, test signal level, and measurement parameter are set on the measurement instrument.

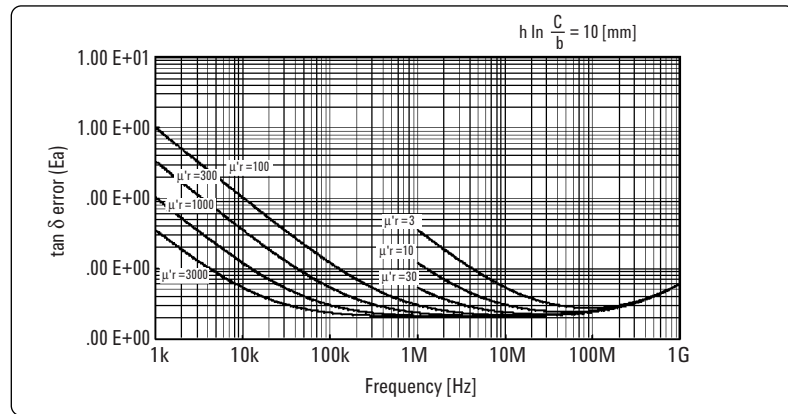


Figure 32. Loss tangent measurement accuracy (Supplemental data)

Step 7. Measure the MUT: The measurement result will appear on the display. The data can be analyzed using the marker functions.

When using the 4294A with the 16454A, a sample IBASIC program, which follows the steps described above, is provided. The sample program is furnished on a floppy disk with the operation manual of the 4294A. Internal firmware comes standard with the material measurement function when using the E4991A or the 4291B (Option 002). For more details, refer to the Operation Manual of the E4991A or the 4291B.

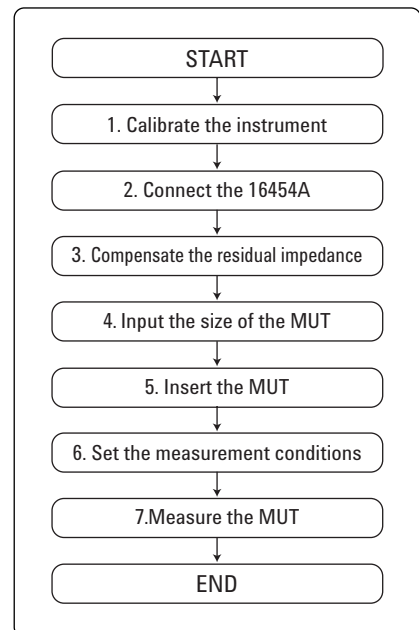


Figure 33. Measurement procedure flowchart for the 16454A

*Must be accompanied by the 4291B with Options 002 and 014.

3.4.6. Special considerations

When measuring a magnetic material with a high permittivity (near 10 or above), precise measurements cannot be performed near 1 GHz. Permeability is derived from the inductance value of the combined impedance of the MUT and the fixture. The measured impedance should be composed of inductance and a negligible amount of capacitance. When the magnetic material's permittivity is high, current flows through the space between the MUT and the fixture. This is equivalent to a capacitor connected in parallel to the inductor (of the MUT). This parallel LC circuit causes an impedance-resonance at a destined frequency. The higher the permittivity, the lower the resonant frequency will be and precise measurements will be difficult.

3.4.7. Sample measurements

Measurement results of frequency and temperature characteristics of the MnZn ferrite core are shown in Figures 34 and 35. The E4991A and the 16454A were used to obtain the results in Figure 34. The 4291B and the 16454A were used to obtain the results in Figure 35.

The low frequency response of MnZn ferrite core was measured using the 4294A and the 16454A and the results are shown in Figure 36.

4. Conclusion

In this application note, permittivity and permeability measurement methods using impedance measurement technology were discussed.

The discussions covered various test fixtures' structure, applicable MUT sizes, operation methods and special considerations. By using this application note as a reference, a measurement solution that satisfies measurement needs and conditions can be selected easily.

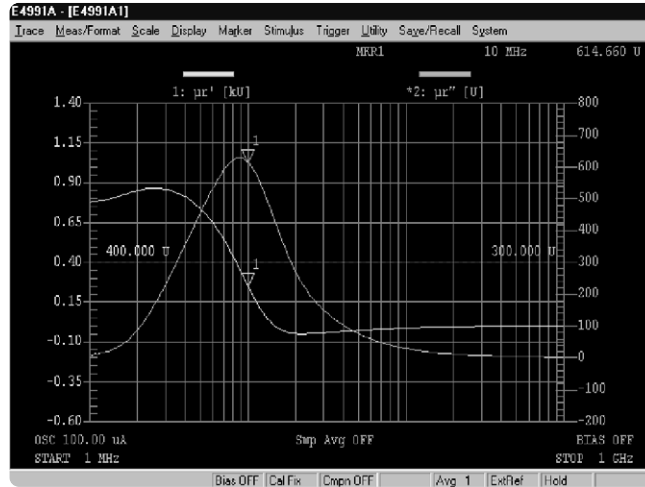
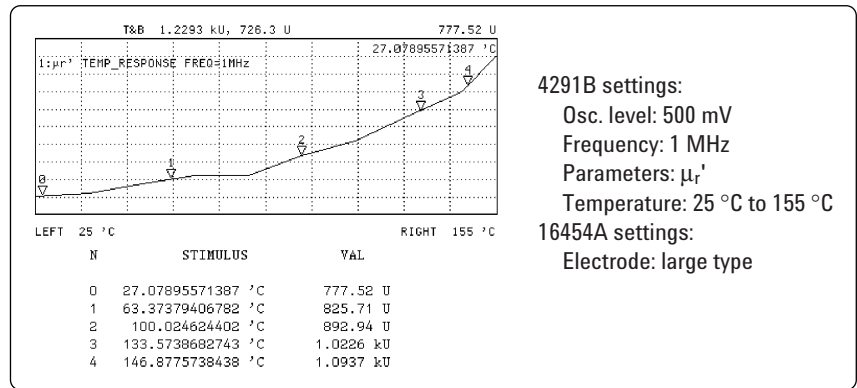
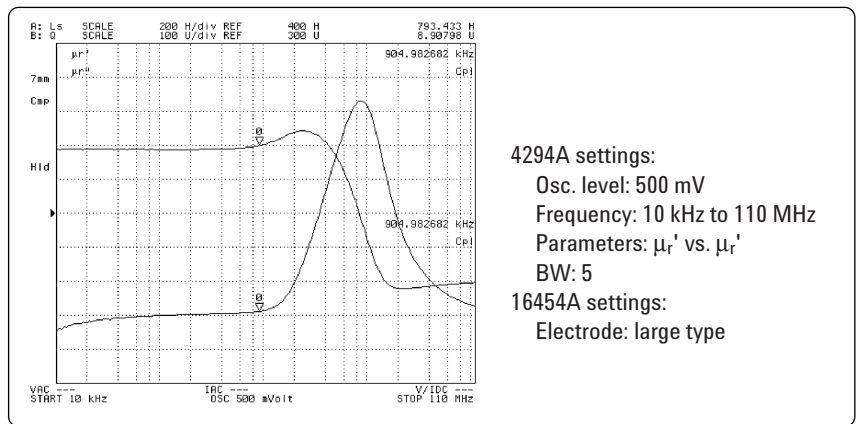


Figure 34. Frequency response of MnZn ferrite core



4291B settings:
 Osc. level: 500 mV
 Frequency: 1 MHz
 Parameters: μ_r'
 Temperature: 25 °C to 155 °C
 16454A settings:
 Electrode: large type

Figure 35. Temperature response of MnZn ferrite core



4294A settings:
 Osc. level: 500 mV
 Frequency: 10 kHz to 110 MHz
 Parameters: μ_r' vs. μ_r''
 BW: 5
 16454A settings:
 Electrode: large type

Figure 36. Low frequency response of MnZn ferrite core

Appendix

A. Resistivity evaluation

A.1. Method of measuring resistivity

Surface and volume resistivity are evaluation parameters for insulating materials. Frequently, resistivity is derived from resistance measurements following a 1-minute charge and discharge of a test voltage. An equation is used to calculate the resistivity from the measured result. The difference in measuring surface resistivity and volume resistivity will be explained using Figures 37 and 38.

In Figure 37, the voltage is applied to the upper electrode and the current, which flows through the material and to the main electrode, is detected. The ring electrode acts as the guard electrode. The measured result yields volume resistance. Volume resistivity is calculated from volume resistance, effective area of the main electrode, and the thickness of the insulating material.

In Figure 38, the voltage is applied to the ring electrode and the current, which flows along the surface of the material and to the main electrode, is detected. The upper electrode acts as the guard electrode. The measured result yields surface resistance. Surface resistivity is calculated from surface resistance, effective perimeter of the main and ring electrodes and the gap between the main and the ring electrodes.

The following equations are used for calculating surface and volume resistivity.

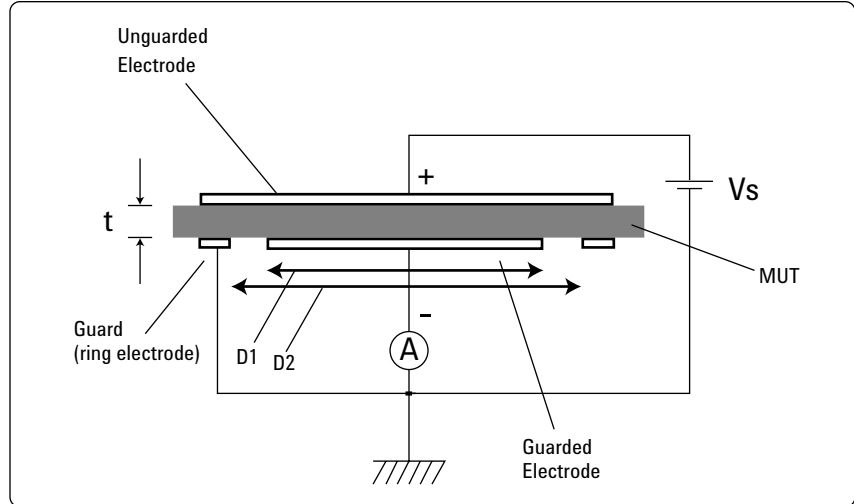


Figure 37. Volume resistivity

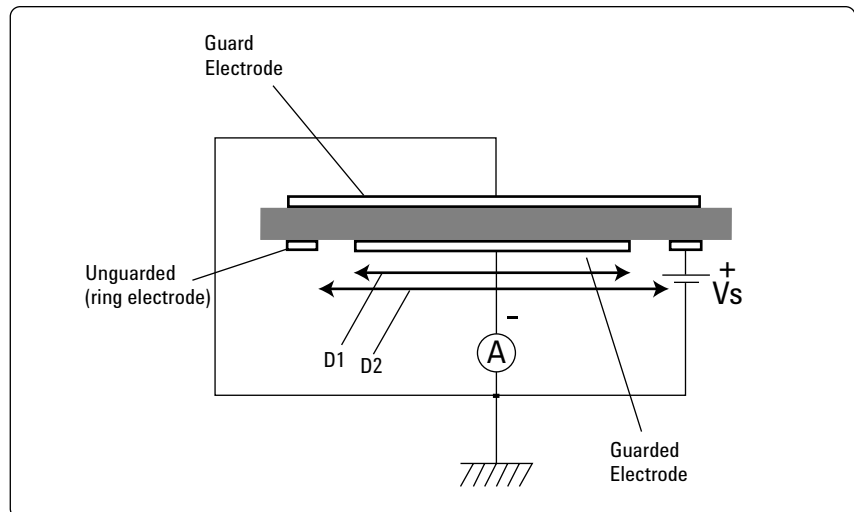


Figure 38. Surface resistivity

Volume resistivity

$$\rho_v = \frac{\pi \left(D_1 + \frac{B(D_2 - D_1)}{2} \right)^2}{4t} \times R_v$$

Surface resistivity

$$\rho_s = \frac{\pi(D_2 - D_1)}{D_2 - D_1} \times R_s$$

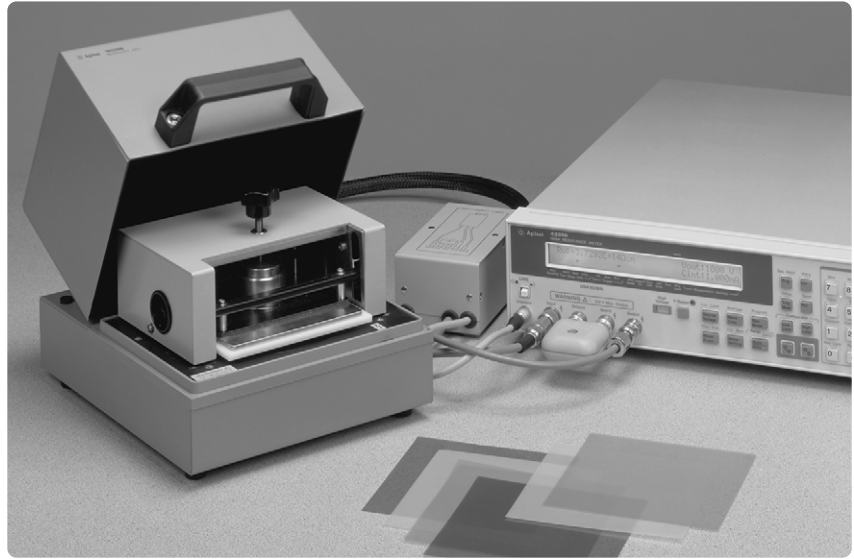
- D1: Diameter of main electrode (mm)
- D2: Diameter of ring electrode (mm)
- t: Thickness of insulating material (mm)
- Rv: Volume resistance
- Rs: Surface resistance
- B: Effective area coefficient (1 for ASTM D257; 0 for JIS K6911)

A.2. Resistivity measurement system using the 4339B and the 16008B

The 4339B high resistance meter and the 16008B resistivity cell will be introduced as a resistivity measurement system and discussed here.

A.2.1. Main advantages

- Automatic calculation of resistivity by entering electrode size and thickness of insulating material
- Three kinds of electrodes (diameter: 26 mm, 50 mm, and 76 mm), provided for the 16008B, can satisfy various insulation measurement standards, such as ASTM D-257
- Triaxial input terminal configuration minimizes the influences due to external noise and as a result, high resistance up to $1.6 \times 10^{16} \Omega$ can be measured accurately
- Automation of charge/measure/discharge is possible using the test sequence program



Agilent 4339B and 16008B

- Open compensation function minimizes the influences due to leakage current

A.2.2. Applicable MUT

The applicable insulating material is a solid sheet that has a thickness between 10 μm and 10 mm. Three

types of electrodes are provided with the 16008B, in order to accommodate various insulating material sizes. Further details are shown in Table 10. It is important to select electrodes so that the diameter of the guard electrode fits within the insulating material's diameter.

Table 10. Applicable MUT sizes

D1 Main electrode	D2 Guard electrode (Inner diameter)	D3 Guard electrode (Outer diameter)	D Insulating material size	Applicable Option
26 mm	38 mm	48 mm	50 mm* to 125 mm	Supplied with Option 001 or 002
50 mm	70 mm	80 mm	82 mm* to 125 mm	Standard -equipped
76 mm	88 mm	98 mm	100 mm* to 125 mm	Supplied with Option 001

*Outer diameter of guard electrode + 2 mm

A.2.3. Structure

The 16008B resistivity cell has a triaxial input configuration to minimize the influence of external noise, a cover for high-voltage safety, an electrode to make stable contacts, and a switch to toggle between surface and volume resistivity configurations. The contact pressure applied onto the MUT can be set to match the characteristics of the insulating material. (Maximum applied contact pressure is 10kgf.)

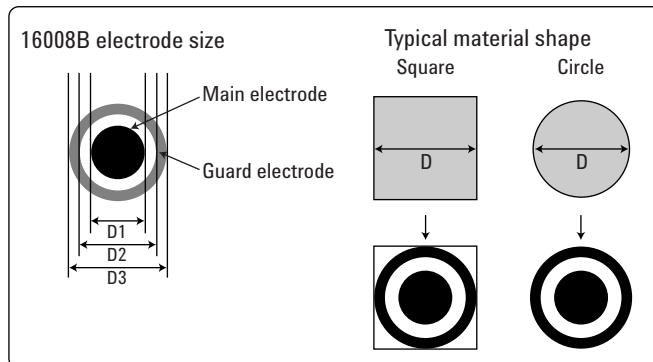


Figure 39. Applicable MUT sizes

A.2.4. Principal specifications

Tables 11 and 12 display the principal specifications of the resistivity measurement system using the 4339B and the 16008B.

Table 11. Principal specifications of the 4339B and 16008B measurement system

Frequency	DC
Max. voltage	1000 V
Max. current	10 mA
Operating temperature	-30 °c to 100 °c (excluding selector switch)
Terminal configuration	Triaxial input (special screw type), high voltage BNC (special type), interlock control connector
Cable lengths	1.2 m
Compensation	Open

Table 12. Resistivity measurement range (Supplemental data)

	Measurement range
Volume resistivity	$\leq 4.0 \times 10^{18} \Omega \text{ cm}$
Surface resistivity	$\leq 4.0 \times 10^{17} \Omega$

A.2.5. Operation method

Figure 40 displays the flowchart when using the 4339B and the 16008B for resistivity measurements. Each step in the flowchart is described. For further details, please refer to the User's Guide provided with the 4339B.

Step 1. Select the electrodes: Select the main electrode and guard electrode according to the diameter of the MUT. Open the cover of 16008B and set the main and guard electrodes.

Step 2. Connect the 16008B: Connect the 16008B to the UNKNOWN terminals of 4339B.

Step 3. Select the measurement parameter (Rv/Rs): The measurement mode can be switched between volume and surface resistivity by toggling the selector switch on the 16008B.

Step 4. Input source voltage: Input the value of the source voltage, which will be applied to the MUT, into the 4339B.

Step 5. Calibrate the 4339B: Perform the calibration of 4339B.

Step 6. Perform open compensation: Apply the source voltage and perform open compensation. After compensation, turn the source voltage to OFF.

Step 7. Insert MUT: Insert the MUT between the electrodes of 16008B.

Step 8. Input parameters and electrode's size: Input the measurement parameters, MUT thickness, and electrode's size into the 4339B.

Step 9. Configure the test sequence program: Select the parameter, charge time, and measurement sequence mode.

Step 10. Measure the MUT: Measurement will begin once the charge time is complete.

A.2.6. Special considerations

Insulating material measurements are very sensitive to noise and have a tendency to be extremely unstable. In this measurement system, the measurement instrument and the test fixture have been designed to minimize the effects of external noise. However, there are a number of factors that should be considered when conducting precise measurements:

- Do not allow vibration to reach the 16008B
- Do not perform measurements near noise-emitting equipment
- Electrodes should be kept clean

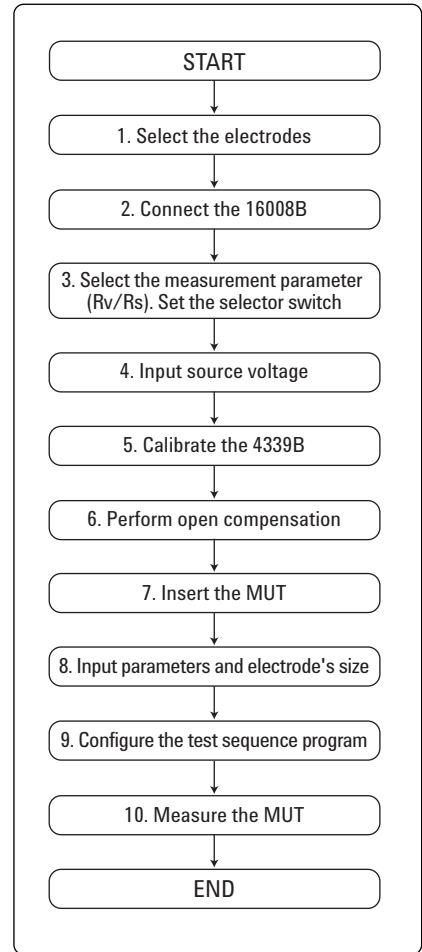


Figure 40. Measurement procedure flowchart for the 4339B and the 16008B

A.2.7. Sample measurements

Results of surface and volume resistivity measurements of polyimide are shown in Figure 41.

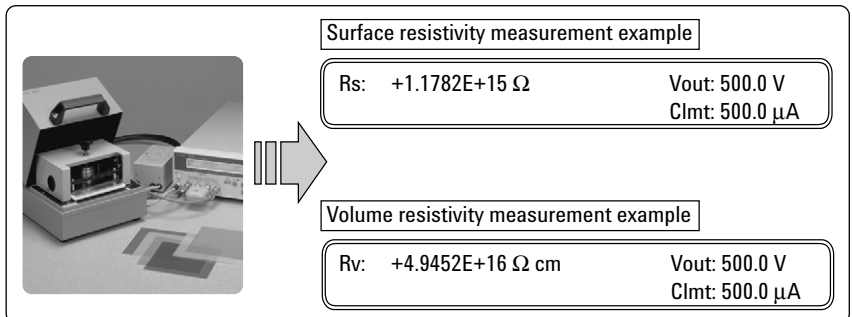


Figure 41. Surface and volume resistivity of polyimide

B. Permittivity evaluation of liquids

Permittivity measurements are often used for evaluation of liquids' characteristics. Permittivity measurements do not change the liquid physically and can be conducted rather simply and quickly. As a result, they are utilized in a wide array of research areas. Here, the 16452A liquid test fixture, which employs the parallel plate method, will be discussed as a permittivity measurement system for liquids.

B.1. Measurement system using the 16452A liquid test fixture

B.1.1. Main advantages

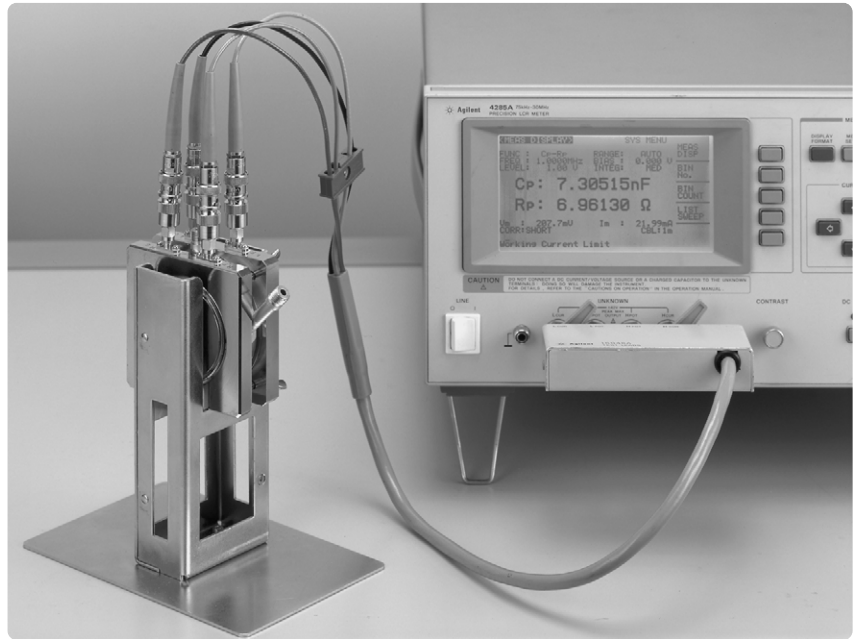
- Wide frequency range from 20 Hz to 30 MHz
- Plastic resins, oil-based chemical products and more can be measured
- Measurement is possible with a small volume of test liquid so MUT is not wasted
- Temperature characteristic measurements are possible from $-20\text{ }^{\circ}\text{C}$ to $+125\text{ }^{\circ}\text{C}$
- Can be used with any impedance measuring instrument that has a 4-Terminal configuration.

B.1.2. Applicable MUT

The sample liquid capacity is dependent upon which spacer is used. The spacer adjusts the gap between the electrodes and causes the air capacitance to be altered as well. Table 13 lists the available spacers and the corresponding sample liquid capacities.

B.1.3. Structure

The structure of 16452A is shown in Figure 42. Three liquid inlets simplify pouring and draining and the fixture can be easily disassembled so that the electrodes can be washed. Nickel is used for the electrodes, spacers, liquid inlet and outlet and fluoro-rubber is used for the O-rings.



Applicable instruments: 4294A, 4284A, and 4285A

Table 13. Relationship between spacers and liquid capacity

Sample liquid capacity	3.4 ml	3.8 ml	4.8 ml	6.8 ml
Air capacitance (no liquid present)	34.9 pF	21.2 pF	10.9 pF	5.5 pF
	±25%	±15%	±10%	±10%
Spacer thickness	1.3 mm	1.5 mm	2 mm	3 mm

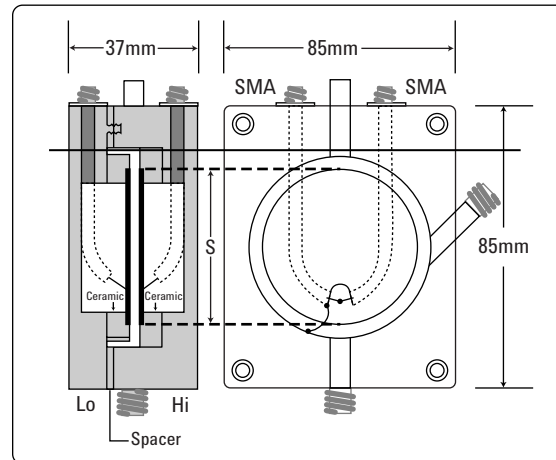


Figure 42. Structure of 16452A

A 1m cable is required for connecting to the measurement instrument. Appropriate cables are listed in Table 14.

Table 14. 1m cables for 16452A

Temperature	Part number
0 °c to 55 °c	16048A
-20 °c to 125 °c	16452-61601
-20 °c to 125 °c	16048G (4294A only)

B.1.4. Principal specifications

Table 15. Principal specifications of 16452A

Frequency	20 Hz to 30 MHz
Max voltage	± 42 V
Operating temperatures	-20 °c to 125 °c
Terminal configuration	4-Terminal Pair, SMA
Compensation	Short

The principal specifications of 16452A are shown in Table 15 and the measurement error is calculated using the following equation.

$$\text{Measurement Accuracy} = A + B + C \text{ [%]}$$

Error A: See Table 16

Error B: when $\epsilon_r' = 1$ See Figure 43

Error C: Error of measurement instrument

Table 16. Error A

Spacer thickness (mm)	B (%)
1.3	0.005 x MRP
1.5	0.006 x MRP
2.0	0.008 x MRP
3.0	0.020 x MRP

M.R.P is measurement relative permittivity

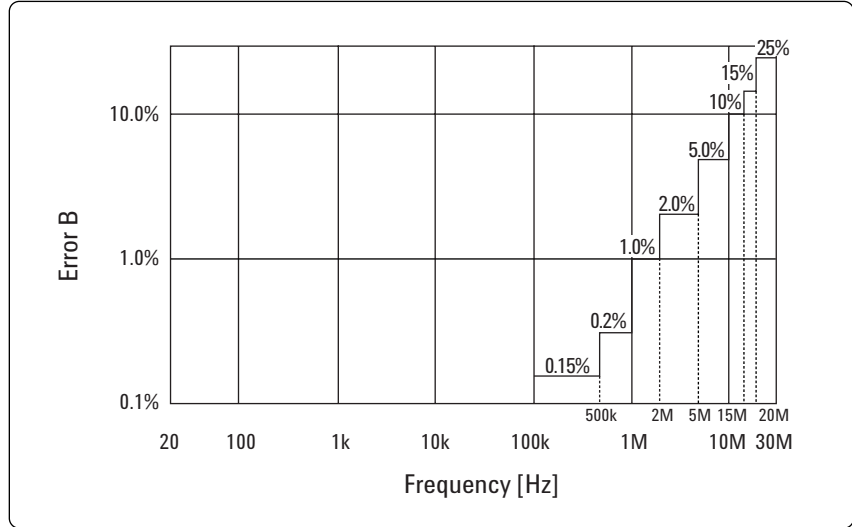


Figure 43. Relative measurement accuracy (Supplemental data)

B.1.5. Operation method

Figure 44 displays the flowchart when using the 16452A for permittivity measurements of liquids. Each step of the flowchart is described here:

Step 1. Assemble 16452A and insert the shorting plate: While attaching the high and low electrodes, insert the shorting plate between them. Next, prepare the 16452A for measurement by connecting the SMA-BNC adapters to the terminals of the fixture and putting the lid on the liquid outlet.

Step 2. Connect the 16452A to the measurement instrument: Select the appropriate 1m cable depending on the operating temperature and the measurement instrument. Connect the 16452A to the UNKNOWN terminals of the measurement instrument.

Step 3. Compensate the cable length: Set the measurement instrument's cable length compensation function to 1m. Refer to the measurement instrument's operation manual for the setting procedure.

Step 4. Check the short residual of the 16452A: To verify whether the 16452A was assembled properly, measure the shorting plate at 1MHz and check if the value falls within the prescribed range. Perform this verification before short compensation. For further details, refer to the Operation Manual provided with the 16452A.

Step 5. Set the measurement conditions: Measurement conditions such as frequency and test voltage level are set on the measurement instrument. The measurement parameter should be set to Cp-Rp. Refer to the measurement instrument's operation manual for the setting procedure.

Step 6. Perform short compensation: Perform short compensation with the shorting plate inserted between the electrodes.

Step 7. Measure the air capacitance: Remove the shorting plate, and insert the appropriate spacer required for the sample liquid volume. The air capacitance that exists between the electrodes is measured with the parameter Cp-Rp.

Step 8. Pour liquid in: Pour the liquid into the inlet of the fixture.

Step 9. Measure liquid: Perform a Cp-Rp measurement with the liquid in the fixture.

Step 10. Calculate permittivity: Permittivity and loss factor is calculated using the following equations:

$$\epsilon_r' = \frac{C_p}{C_0} \quad \epsilon_r'' = \frac{1}{\omega C_0 R_p}$$

C_p : Equivalent parallel capacitance of MUT [F]

C_0 : Equivalent parallel capacitance of air [F]

R_p : Equivalent parallel resistance of MUT [Ω]

ω : $2\pi f$ (frequency)

Step 11. Drain liquid out: Drain the liquid out from the outlet of the fixture.

B.1.6. Special considerations

There is a high possibility that liquids with bulk conductivity such as salt (Na^+ Cl^-) or ionic solutions cannot be measured. This is due to the electrode polarization phenomenon, which causes incorrect capacitance measurements to occur for these types of liquids. Even for low frequency measurements of liquids that do not have bulk conductivity, such as water, there is a high possibility that electrode polarization will occur.

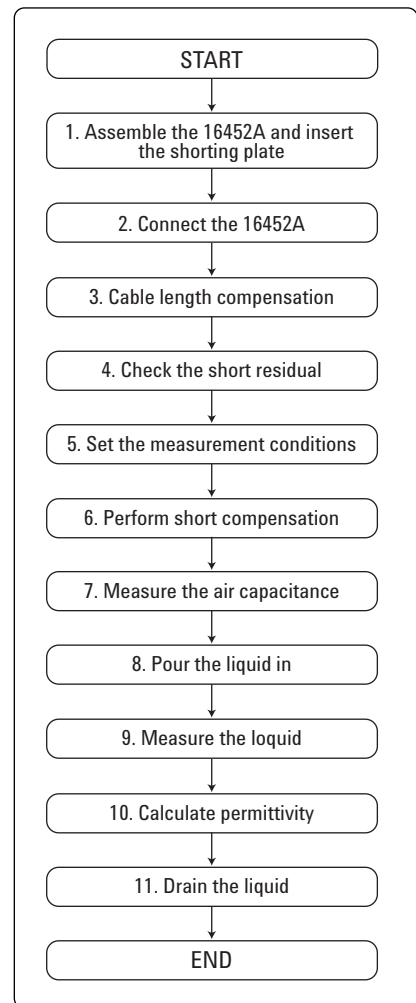


Figure 44. Measurement procedure flowchart for the 16452A

References

1. ASTM, "Test methods for A-C loss characteristics and permittivity (dielectric constant) of solid electrical insulating materials," ASTM Standard D 150, American Society for Testing and Materials
2. ASTM, "Test methods for D-C resistance or conductance of insulating materials," ASTM Standard D 257, American Society for Testing and Materials
3. *Application Note 1217-1, "Basics of measuring the dielectric properties of materials,"* Agilent literature number 5091-3300E
4. *Application Note 1297, "Solutions for measuring permittivity and permeability,"* Agilent literature number 5965-9430E
5. *Application Note 380-1, "Dielectric constant measurement of solid materials using the 16451B dielectric test fixture,"* Agilent literature number 5950-2935E
6. *Application Note 1300-3, "Permittivity measurements of PC board and substrate materials using the 4291B and 16453A,"* Agilent literature number 5966-1847E
7. *Application Note 1300-4, "Permeability measurements using the 4291B and 16454A,"* Agilent literature number 5966-1844E
8. *Application Note 1305-2, "Insulation resistance measurements of plate-type materials,"* Agilent literature number 5968-3400E
9. *Accessories Selection Guide for Impedance Measurements,* Agilent literature number 5965-4792E
10. *Agilent 16451B Operation and Service Manual,* PN 16451-90020
11. *Agilent 16452A Operation and Service Manual,* PN 16452-90000
12. *Agilent 16454A Operation and Service Manual,* PN 16454-90010
13. *Agilent 4291B Quick Start Guide,* PN 04291-90031
14. *Electronic materials measurement seminar,* Agilent literature number 5965-1075E

Web resources

Please visit our website at:
www.agilent.com/find/impedance
for more information about impedance test solutions.

For more information about material analysis visit:
www.agilent.com/find/materials

Agilent Technologies' Test and Measurement Support, Services, and Assistance

Agilent Technologies aims to maximize the value you receive, while minimizing your risk and problems. We strive to ensure that you get the test and measurement capabilities you paid for and obtain the support you need. Our extensive support resources and services can help you choose the right Agilent products for your applications and apply them successfully. Every instrument and system we sell has a global warranty. Support is available for at least five years beyond the production life of the product. Two concepts underlie Agilent's overall support policy: "Our Promise" and "Your Advantage."

Our Promise

Our Promise means your Agilent test and measurement equipment will meet its advertised performance and functionality. When you are choosing new equipment, we will help you with product information, including realistic performance specifications and practical recommendations from experienced test engineers. When you use Agilent equipment, we can verify that it works properly, help with product operation, and provide basic measurement assistance for the use of specified capabilities, at no extra cost upon request. Many self-help tools are available.

Your Advantage

Your Advantage means that Agilent offers a wide range of additional expert test and measurement services, which you can purchase according to your unique technical and business needs. Solve problems efficiently and gain a competitive edge by contracting with us for calibration, extra-cost upgrades, out-of-warranty repairs, and on-site education and training, as well as design, system integration, project management, and other professional engineering services. Experienced Agilent engineers and technicians worldwide can help you maximize your productivity, optimize the return on investment of your Agilent instruments and systems, and obtain dependable measurement accuracy for the life of those products.

By internet, phone, or fax, get assistance with all your test and measurement needs.

Online assistance:
www.agilent.com/find/assist

Phone or Fax
United States:
(tel) 1 800 452 4844

Canada:
(tel) 1 877 894 4414
(fax) (905) 282-6495

Europe:
(tel) (31 20) 547 2323
(fax) (31 20) 547 2390

Japan:
(tel) (81) 426 56 7832
(fax) (81) 426 56 7840

Latin America:
(tel) (305) 269 7500
(fax) (305) 269 7599

Australia:
(tel) 1 800 629 485
(fax) (61 3) 9210 5947

New Zealand:
(tel) 0 800 738 378
(fax) 64 4 495 8950

Asia Pacific:
(tel) (852) 3197 7777
(fax) (852) 2506 9284

Product specifications and descriptions in this document subject to change without notice.

Copyright © 2001 Agilent Technologies
Printed in USA April 12, 2001
5980-2862EN



Agilent Technologies